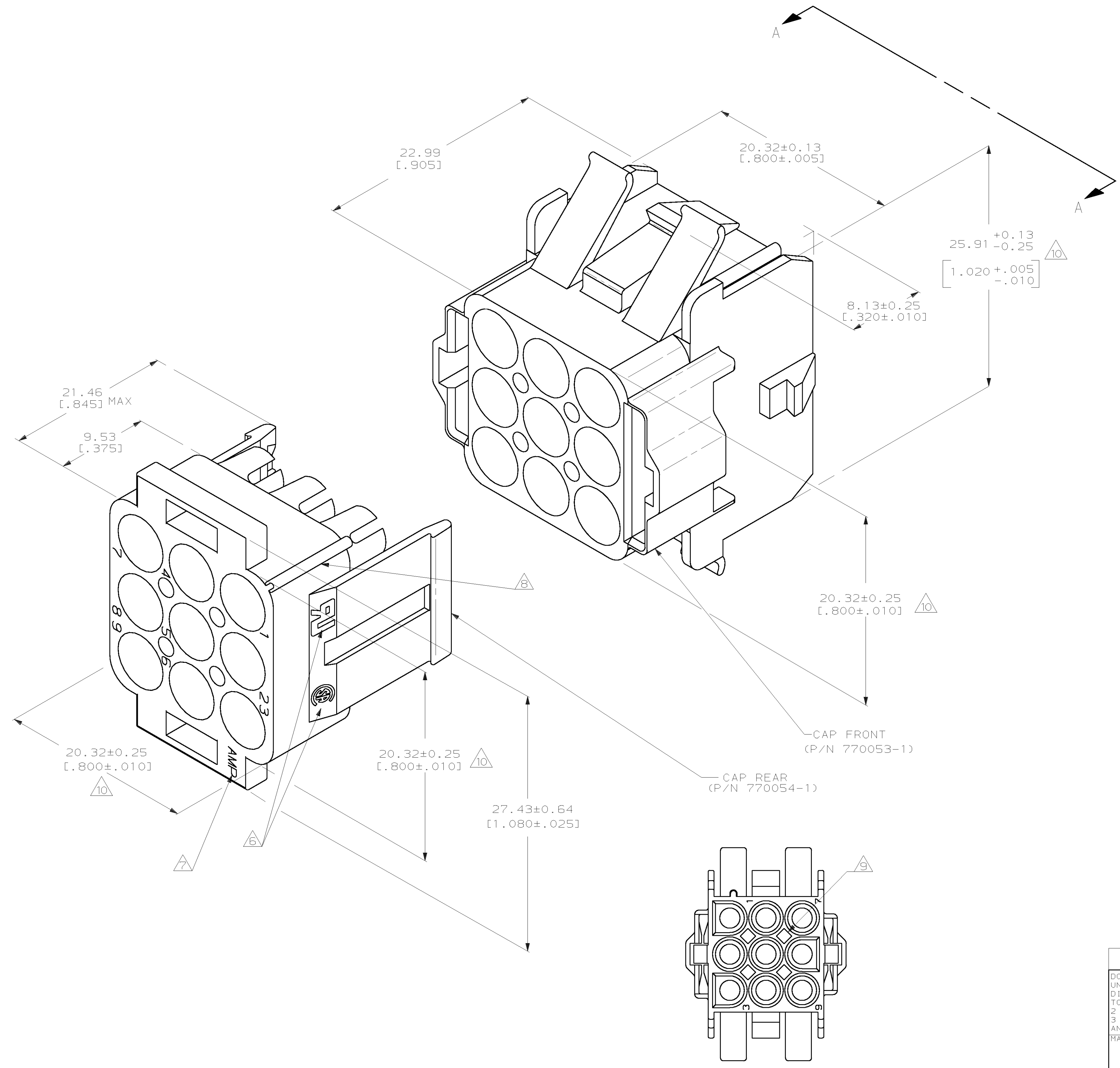
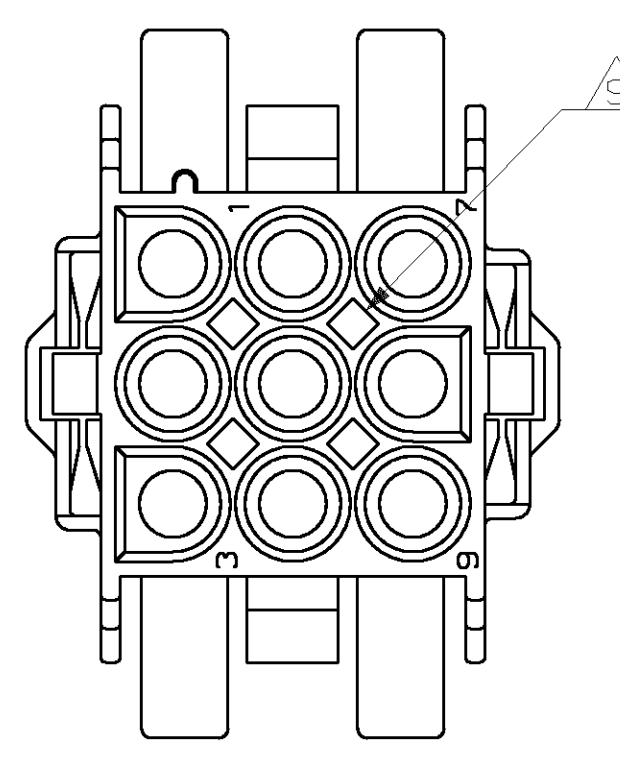
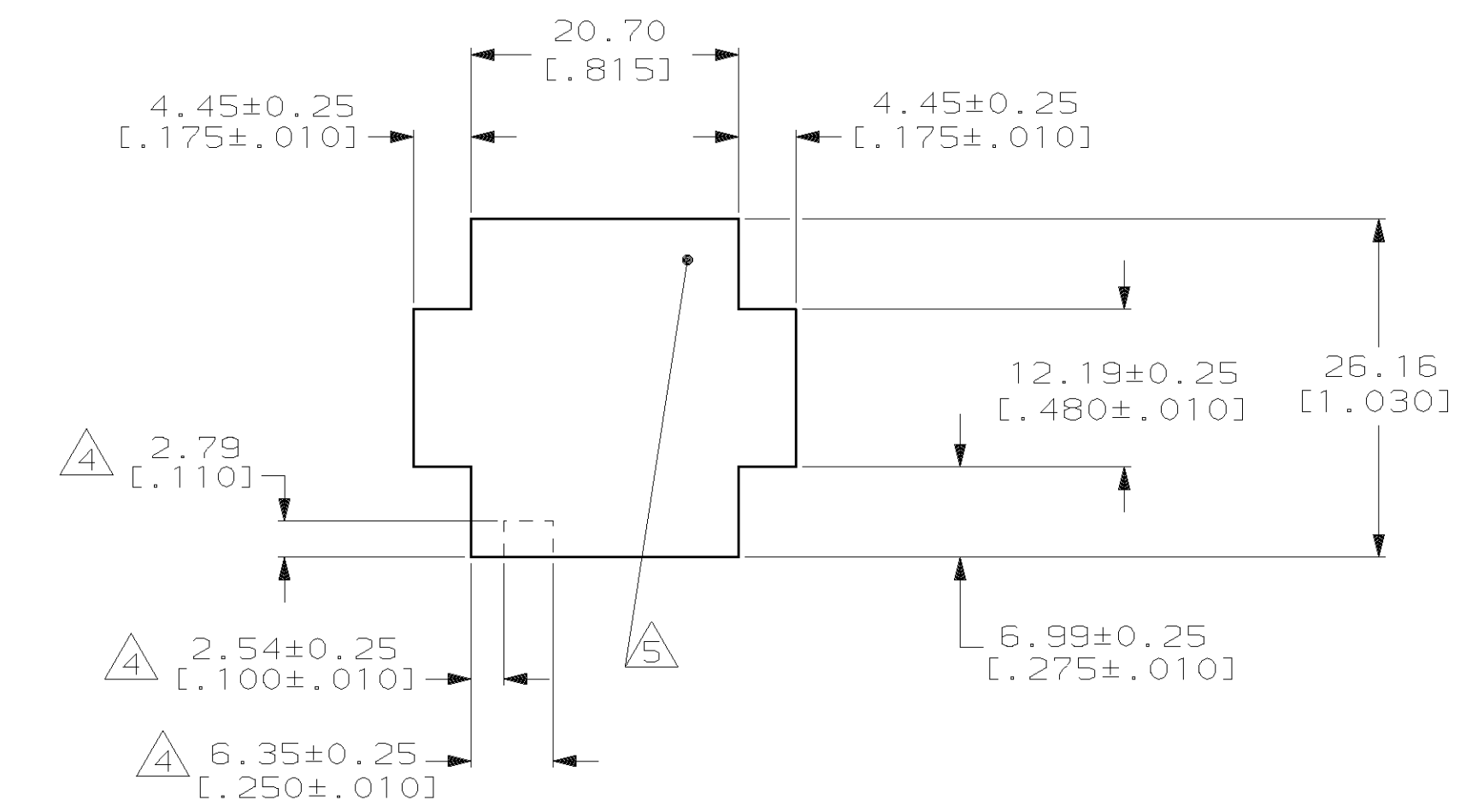


LOC		DIST		P		F		ZONE		LTR		REVISIONS		DATE	APPD
												DESCRIPTION			
CM	53											J	REV PER EC 063B-0114-02	19-MAR-02	KW



- BULK PACKAGED, UNASSEMBLED.
- RECOMMENDED PANEL THICKNESS 0.76-2.29 [.030-.090].
- PANEL MUST BE PUNCHED SO THAT THE HOUSING ENTERS THE PANEL IN THE SAME DIRECTION AS THE PUNCH.
- OPTIONAL FOR KEYING HOUSING IN PANEL.
- CIRCUIT NO. 1 LOCATON.
- APPROVAL AGENCY LOGO LOCATED APPROXIMATELY AS SHOWN.
- AMP LOGO LOCATED THIS SURFACE.
- CIRCUIT NUMBER ONE IDENTIFICATION RIB AND CIRCUIT IDENTIFICATION NUMBERS ARE EACH LOCATED ADJACENT TO THE APPROPRIATE CIRCUIT CAVITIES.
- OPTIONAL CONSTRUCTION PROVIDES ROUND MATERIAL REDUCTION CORING HOLES.
- DIMENSION INDICATED IS AS MOLDED. ADDITIONAL GROWTH DUE TO SUBSEQUENT MOISTURE ABSORPTION MAY OCCUR.



METRIC

770028-1
PART NUMBER

DO NOT SCALE PRINT. UNLESS SPECIFIED DIMENSIONS IN INCHES TOLERANCES ON:		DR 1-22-92 K. SALMON		AMP INCORPORATED Harrisburg, Pa. 17105	
1 PLC DEC ±	—	CHK 1-22-92 R. SWING		NAME	
2 PLC DEC ±	—	APPD 1-22-92 M. TRULL		CAP HOUSING KIT, 9 CIRCUIT, UNIVERSAL MATE-N-LOK™ II	
3 PLC DEC ±	0.13 [.005]	APPD 1-22-92 M. TRULL		SIZE	FSCM NO
ANGLES ±	—	PRODUCT SPEC		D	00779
MATERIAL	NYLON, UL94V-0,	APPLICATION SPEC		DRAWING NO	770028
FINISH	—	WEIGHT		SCALE	5:1
				SHEET	1 OF 1